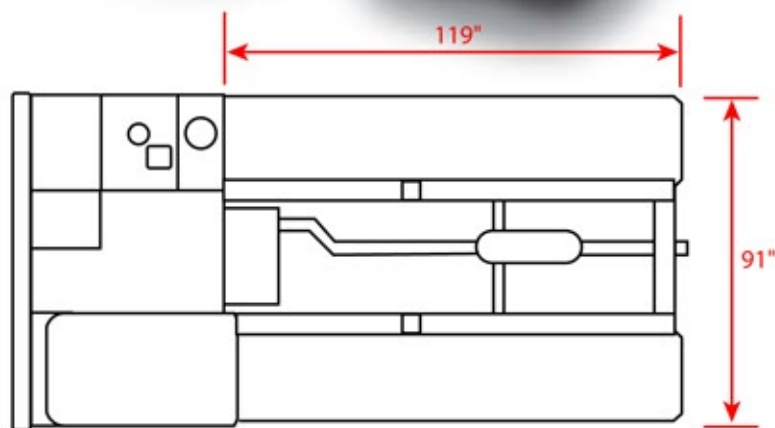




ENGINE	
Make:	Mitsubishi
Model:	4D34-TE2
4 cylinder, Displacement: 3.9 liter	
115 hp @ 2,200 rpm	
Fuel tank capacity: 27.7 gal	
MACHINE WEIGHT	
13,448 lbs	
PERFORMANCE	
Max. Carrying Capacity	9,460 lbs
Travel Speed - 1st Gear	5.1 mph
Travel Speed - 2nd Gear	7.5 mph
Gradeability (unloaded)	30 degrees
Ground Pressure	2.3 psi
Ground Pressure (loaded)	3.8 psi



**800-VDL DESCRIPTION:**  
Motor and Pumps are located 15" forward to increase platform length.

